

RESMED

Mirage Liberty™

FULL FACE MASK

Quick Fitting Guide



Components Card

English • Deutsch • Français • Italiano • Español • Português • Nederlands

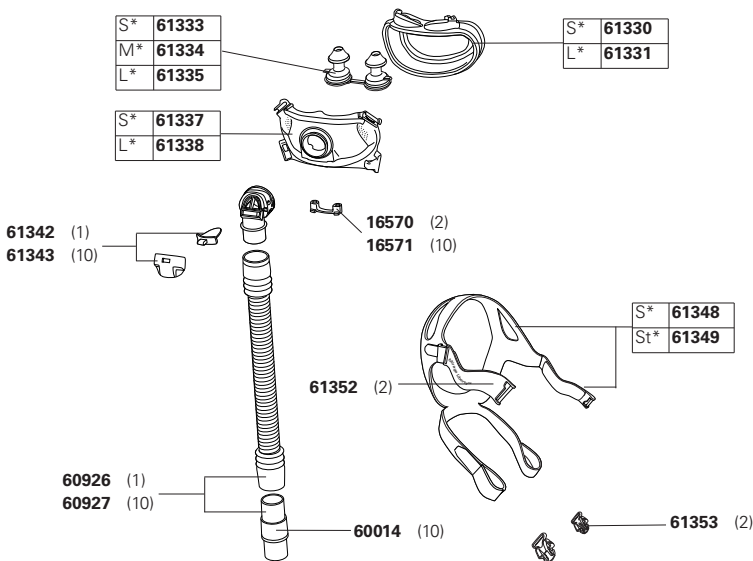
Mirage Liberty Full Face Mask

Mask System / Maskensystem / Masque / Maschera / Mascarilla / Máscara / Maskersysteem

	Europe 1*	Asia-Pacific	ANZ	France	UK
S*	61302	61312	61310	61306	61308
L*	61303	61313	61311	61307	61309

Elbow assembly (elbow, valve and clip) / Kniestück (Kniestück, Sicherheitsventil und Clip) / Ensemble coude (coude, valve et clip) / Gruppo gomito (gomito, valvola e fermaglio) / Unidad del codo (codo, válvula y traba) / Conjunto do cotovelo (cotovelo, válvula e clipe) / Complete bocht (bocht, klep en klem)

61340



Europe 1* English, German, French, Italian, Spanish, Portuguese, Dutch

S* Small / Petit / Pequeña / Pequena

M* Medium / Médium / Mediana / Média

L* Large / Grande

St* Standard / Estándar / Standaard

CE
0120

⚠ For details, refer to the *Mirage Liberty User Guide*. Specifications may change without notice. Mirage and Mirage Liberty are trademarks of ResMed Ltd and Mirage is registered in U.S. Patent and Trademark Office.
© 2009 ResMed Ltd. 61852/4 09 05

