

Mirage Activa™ LT

NASAL MASK

Components Card

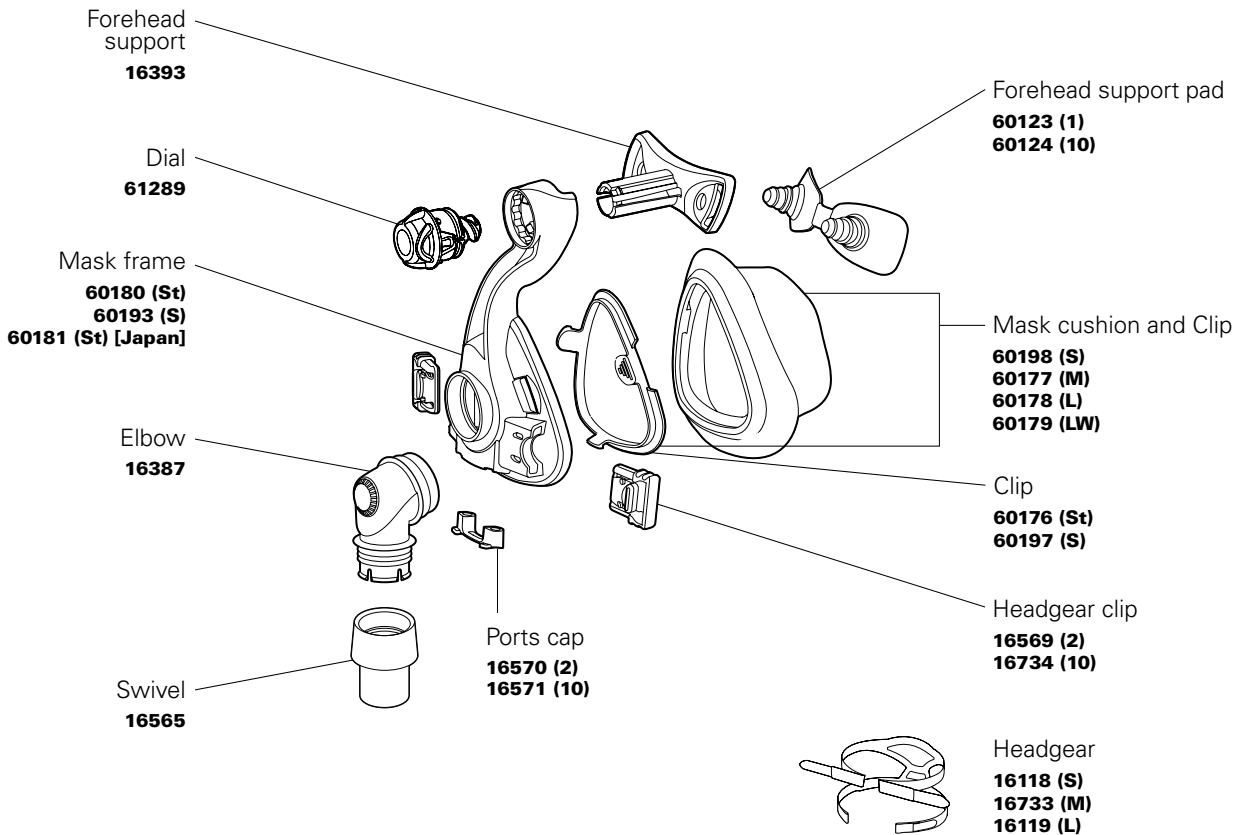
English

| Complete system | ANZ | Asia Pacific | Japan |
|-----------------|-------|--------------|-------|
| S | 60190 | 60182 | |
| M | 60163 | 60148 | 60160 |
| L | 60164 | 60149 | 60161 |
| LW | 60165 | 60150 | 60162 |

Elbow assembly

(elbow, swivel)

16399



S Small St Standard M Medium L Large LW Large Wide

Manufacturer: ResMed Ltd 1 Elizabeth Macarthur Drive Bella Vista NSW 2153 Australia. Distributed by: ResMed Corp 14040 Danielson Street Poway CA 92064-6857 USA, ResMed (UK) Ltd 96 Milton Park Abingdon Oxfordshire OX14 4RY UK. See www.resmed.com for other ResMed locations worldwide. Protected by patents: AU 2001267133, AU 2002301370, AU 710733, AU 741003, AU 766623, AU 775051, AU 777033, AU 785376, CA 2261790, DE 20122844.0, EP 0956069, EP 1187647, EP 1187649, EP 1187650, EP 1314445, EP 1334742, EP 1479406, EP 1582230, EP 1621225, EP 1640034, HK 1057714, HK 1071083, JP 3686609, JP 3802872, JP 4031422, NZ 513052, NZ 526165, NZ 526166, NZ 526167, NZ 526168, NZ 542849, NZ 543939, US 6112746, US 6119693, US 6357441, US 6374826, US 6439230, US 6463931, US 6532961, US 6557556, US 6581594, US 6581602, US 6634358, US 6691708, US 6772760, US 6823865, US 6823869, US 6860269, US 6871649, US 6986352, US 6997188, US 7107989, US 7159587, US 7178527, US 7216647, US 7234466, US 7243651, US 7318439. Other patents pending. Protected by design registrations: AU 156663, AU 321676, FR 031430, JP 1192859, NZ 411222, US D487510, US D493521, AU 156665, DE 40301991.5, FR 031425, JP 1197930, US D486227, US D493522, US D545960, US D567935. Others pending. Mirage and Activa are trademarks of ResMed Ltd and are registered in U.S. Patent and Trademark Office. © 2009 ResMed Ltd. Specifications may change without notice. 1013393/1 09 03